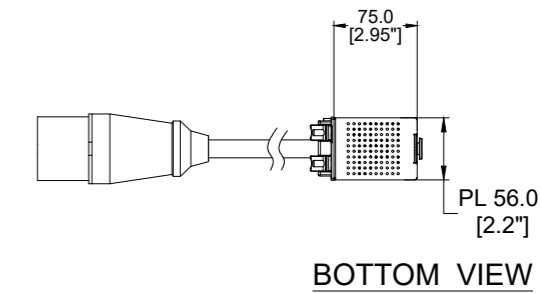
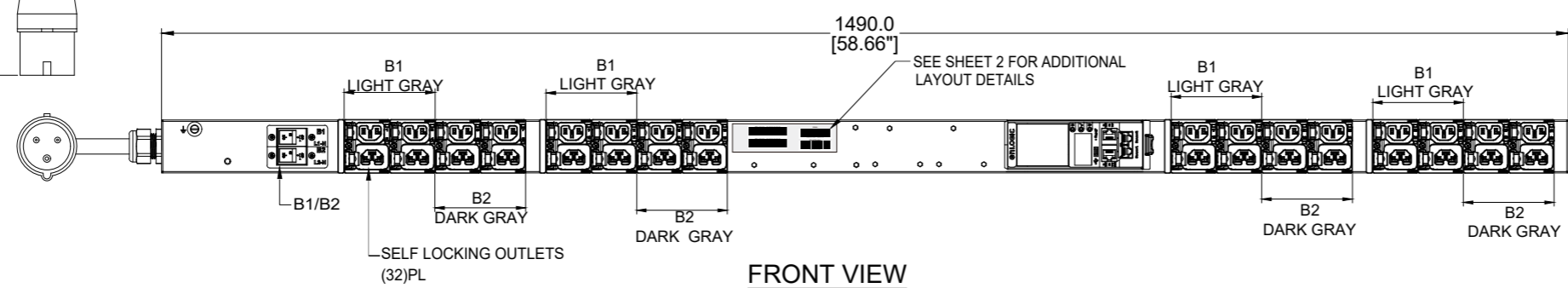
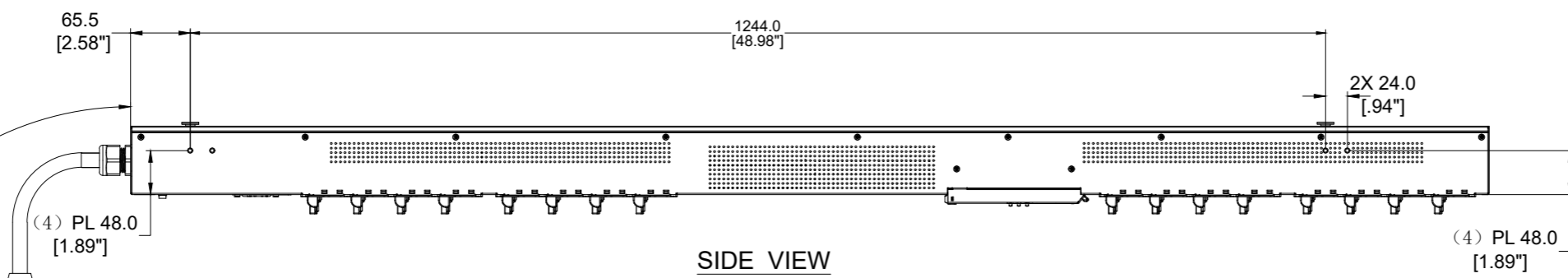
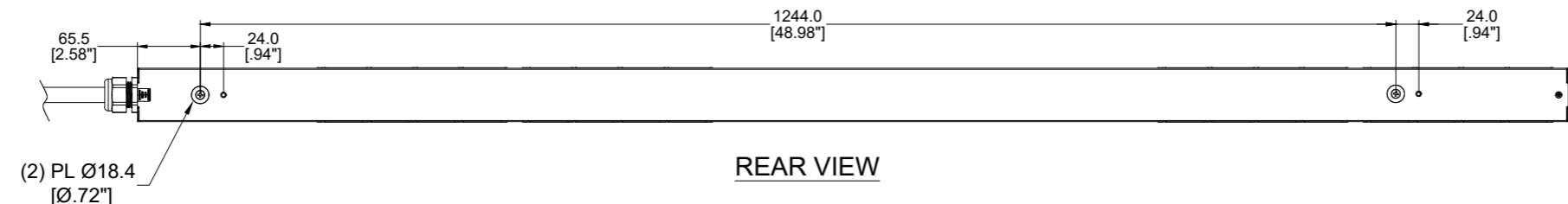


DESIGN^(PDU) ENGINEERING



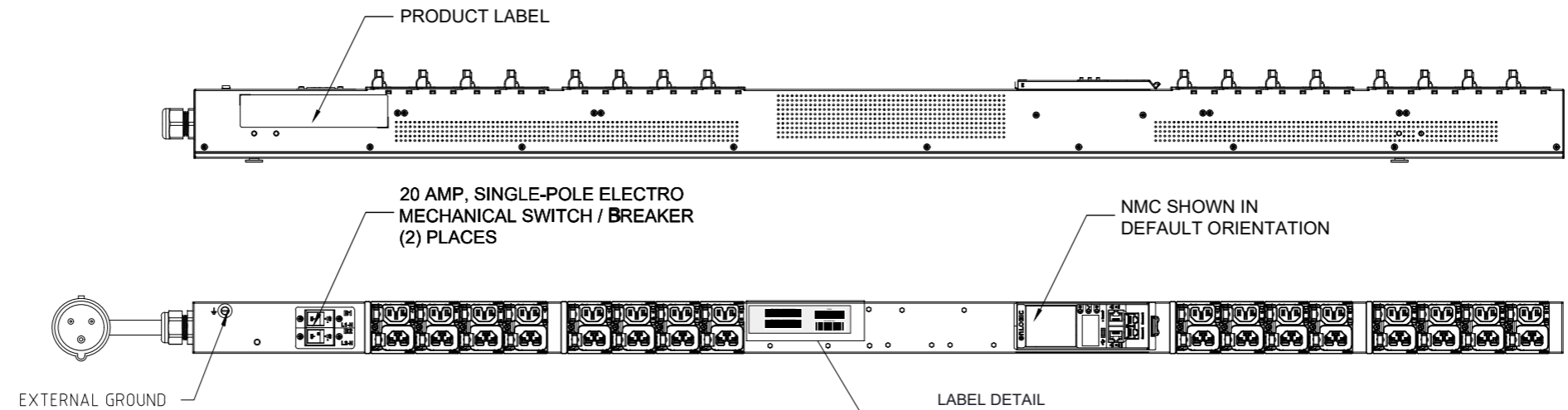
TECHNICAL SPECIFICATIONS	
UNIT TYPE:	MONITORED & SWITCHED PER OUTLET
ORIENTATION:	VERTICAL, MID
OUTLET QTY & TYPE:	(16)C13/C15 LOCKING,(16)C13/C15/C19 LOCKING
INPUT VOLTAGE:	200-240VAC
INPUT CURRENT:	32A
BREAKER QTY & TYPE:	(2) 20AMP, SINGLE-POLE ,5kA
INPUT PHASE:	SINGLE-PHASE
RATED POWER:	7.4 kVA
INPUT PLUG:	SEE NOTE 7
INPUT POWER CORD:	SEE IDENTIFICATION TABLE
FEATURES	
METERING ACCURACY	+/-1% TO ISO/ IEC 62052-21
METERING ATTRIBUTES	VOLTAGE(V), CURRENT(A), APPARENT POWER(kVA), REAL POWER(kW), POWER FACTOR, ENERGY(kWh)
METERED COMPONENTS	INPUT(PHASE), CIRCUIT BREAKERS,OUTLETS
REMOTE OUTLET SWITCHING	YES
ENVIRONMENTAL CONDITIONS	
OPERATING TEMPERATURE	-5 TO 60 C (23 TO 140 F)
STORAGE TEMPERATURE	-20 TO 60 C (-4 TO 140 F)
HUMIDITY (OPERATING/STORAGE)	5-90% RH / 5-95% RH; NON-CONDENSING
MAX OPERATING ELEVATION, ABOVE MSL	3000M(9840FT)
COMPLIANCE	
SAFETY&ENVIRONMENTAL	RoHS COMPLIANT

IDENTIFICATION TABLE	EN6380-*	INPUT PLUG*	CHASSIS COLOR*	CORD OPTION*	ORIENTATION*
MODEL IS SHOWN IN DEFAULT CONFIGURATION. FOR OPTIONAL CONFIGURATIONS, USE ITEM IDENTIFIER CODE IN PLACE OF EACH ASTERISK. ORDERABLE BASED ON FORMAT: EN6380 - ****		(DEFAULT)332P6(IP44)=0	(DEFAULT) BLACK = 0 BLUE = B RED = R WHITE = W GREEN = G YELLOW = Y	(DEFAULT) 3m [10'] = 0 1m [3.2'] = 1 2m [6.6'] = 2 3m [10'] = 3	(DEFAULT) TOP FEED = 0 BOTTOM FEED = 2
OPTIONS LISTED ON THIS ROW ARE NON STANDARD, CONTACT SALES FOR ADDITIONAL INFORMATION		(OPTIONAL)332P6W(IP67)=J	ORANGE = A	0.5m [1.6'] = A 1.2m [4'] = G 1.5m [4.9'] = B 1.8m [6'] = F 2.5m [8.2'] = C	

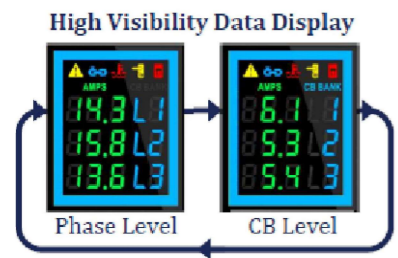
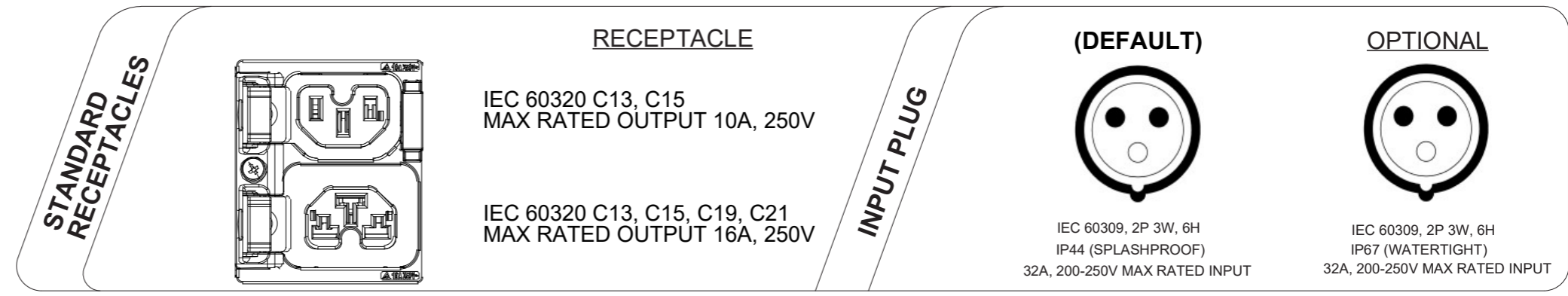
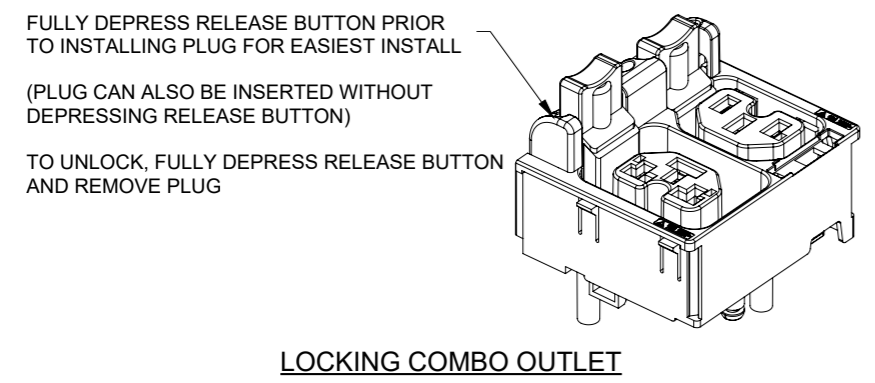
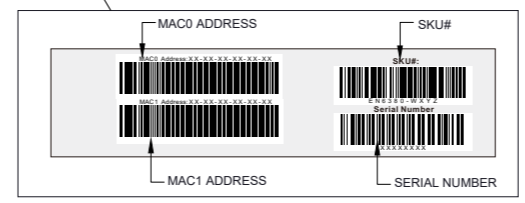
- NOTES :
- INSTALLATION SHALL COMPLY WITH ALL APPLICABLE NATIONAL, STATE AND LOCAL CODES.
 - PRIMARY DIMENSIONS ARE IN MILLIMETERS. SECONDARY DIMENSIONS ARE IN [INCHES]
 - UNIVERSAL MOUNTING BRACKET IS AN ALTERNATIVE MOUNTING METHOD TO THE TOOLLESS MOUNT FOR 3RD PARTY ENCLOSURES. BRACKET IS PROVIDED WITH THE UNIT.
 - DETAILED INSTALLATION INSTRUCTIONS CAN BE FOUND IN THE QUICK START GUIDE
 - CONNECT EXTERNAL EARTH GROUND TO THE 10-32 SIZE THREADED NUT
 - SEE PRODUCT DOCUMENTATION FOR FURTHER INFORMATION
 - INPUT PLUG CONFIGURATION (SEE IDENTIFICATION TABLE) FOR DUAL-RATED UNITS, NEMA PLUGS ARE NAM RATED ONLY AND CAPTIVE AUS/NZ PLUGS ARE EMEA RATED ONLY

THIS DRAWING AND SPECIFICATIONS HEREIN ARE THE PROPERTY OF CIS GLOBAL AND SHALL NOT BE COPIED, REPRODUCED OR USED IN WHOLE OR IN PART, AS THE BASIS FOR THE MANUFACTURE OR SALE OF ITEMS WITHOUT WRITTEN PERMISSION FROM CIS GLOBAL. THIS DRAWING IS BASED UPON LATEST AVAILABLE INFORMATION AND IS SUBJECT TO CHANGE WITHOUT NOTICE

ECN/ECO	REV.	DESCRIPTION	DATE	APPROVED
	E1	INITIAL DRAFT REVIEW	2022/08/12	LRF
REVISIONS				
TITLE :		UNLESS NOTED, DIMENSIONS ARE IN MILLIMETERS & TOLERANCES ARE:		PART NO:
Advantage Series		X ±1 MM	X° ±1°	EN6380-WXYZ_DA
Metered & Switched per outlet		X.X ±0.5 MM	X.X° ±0.5°	DRAWN BY: LRF
PROJECT :		X ±0.20 MM		ENGINEER: LJB
enLOGIC		Ø X.X ±0.3 MM		APPROVED BY: Hanson
		Ø X.XX ±0.10 MM		SCALE : N/A
		BRACKETED DIMENSIONS ARE IN INCHES FOR REFERENCE ONLY		SHEET 1 OF 3
		⊕ THRID ANGLE PROJECTION		SIZE: A3
		INTERPRET PER ASME Y14.5M-1994		

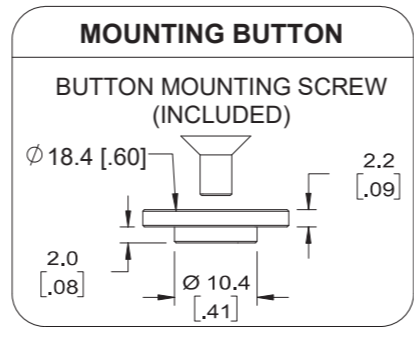


DESIGN^(PDU) ENGINEERING



- Critical Alarm Alerts**
- ▲ PDU Alarm
 - Cascade Error
 - Environmental Alarm
 - Security Alarm
 - Circuit Breaker Alarm
- Source Color Coding (User Selected Option)**
-
- User Interactive Display (for setup and detailed information)**
- 10/100 Ethernet Port (for redundancy and Ethernet cascading)**
- Digital Sensor Port 2**

- USB-C** (upgrades, connectivity, and future-proof expansion)
- 10/100/Gigabit Ethernet Port** (primary network port)
- Digital Sensor Port 1** (supports up to 8 physical sensors)



E1	INITIAL DRAFT REVIEW	2022/08/12	LRF
ECN/ECO	REV.	DESCRIPTION	DATE APPROVED

REVISIONS			
TITLE:	UNLESS NOTED, DIMENSIONS ARE IN MILLIMETERS & TOLERANCES ARE:	PART NO:	REV.
Advantage Series	X. ±1 MM X° ±1°	EN6380-WXYZ_DA	E1
Metered & Switched per outlet	X.X ±0.5 MM X.X° ±0.5°	DRAWN BY: LRF	2022/08/12
	X.XX ±0.20 MM	ENGINEER: LJB	2022/08/12
	Ø X.X ±0.3 MM	APPROVED BY: Hanson	2022/08/12
	Ø X.XX ±0.10 MM	SCALE: N/A	SHEET 2 OF 3
PROJECT: enLOGIC	BRACKETED DIMENSIONS ARE IN INCHES FOR REFERENCE ONLY		SIZE: A3
	⊕ THRID ANGLE PROJECTION		
	INTERPRET PER ASME Y14.5M-1994		

enLOGIC by nvent

THIS DRAWING AND SPECIFICATIONS HEREIN ARE THE PROPERTY OF CIS GLOBAL AND SHALL NOT BE COPIED, REPRODUCED OR USED IN WHOLE OR IN PART, AS THE BASIS FOR THE MANUFACTURE OR SALE OF ITEMS WITHOUT WRITTEN PERMISSION FROM CIS GLOBAL. THIS DRAWING IS BASED UPON LATEST AVAILABLE INFORMATION AND IS SUBJECT TO CHANGE WITHOUT NOTICE

- NOTES:**
- INSTALLATION SHALL COMPLY WITH ALL APPLICABLE NATIONAL, STATE AND LOCAL CODES.
 - SEE PRODUCT DOCUMENTATION FOR FURTHER INFORMATION

enLOGIC RACK Power Distribution Unit Made In XXXXX

SKU#: EN6380-WXYZ
 Model#: EP161032-0070-L
 INPUT: 200-240VAC, 1PHASE, 50/60Hz, 32A
 OUTPUT: C13/C15 LOCKING; 200-240VAC, 10A per outlet
 C13/C15/C19 LOCKING; 200-240VAC, 16A max per outlet
 32A Total

MAC0 Address: XX-XX-XX-XX-XX-XX
 MAC1 Address: XX-XX-XX-XX-XX-XX

CE UK CA CIS Global LLC 1601 W COMMERCE CT TUCSON, AZ 85746

Barcode: EN6380-WXYZ
 Barcode: Serial Number XXXXXXXXX XX

COMPLIANCE LABEL

NOTES:

1. INTERNAL WIRING

WIRE TYPE:

UL AWM 1015, 10 & 12 & 18 AWG

LINE 1/R/X COLOR:

BROWN

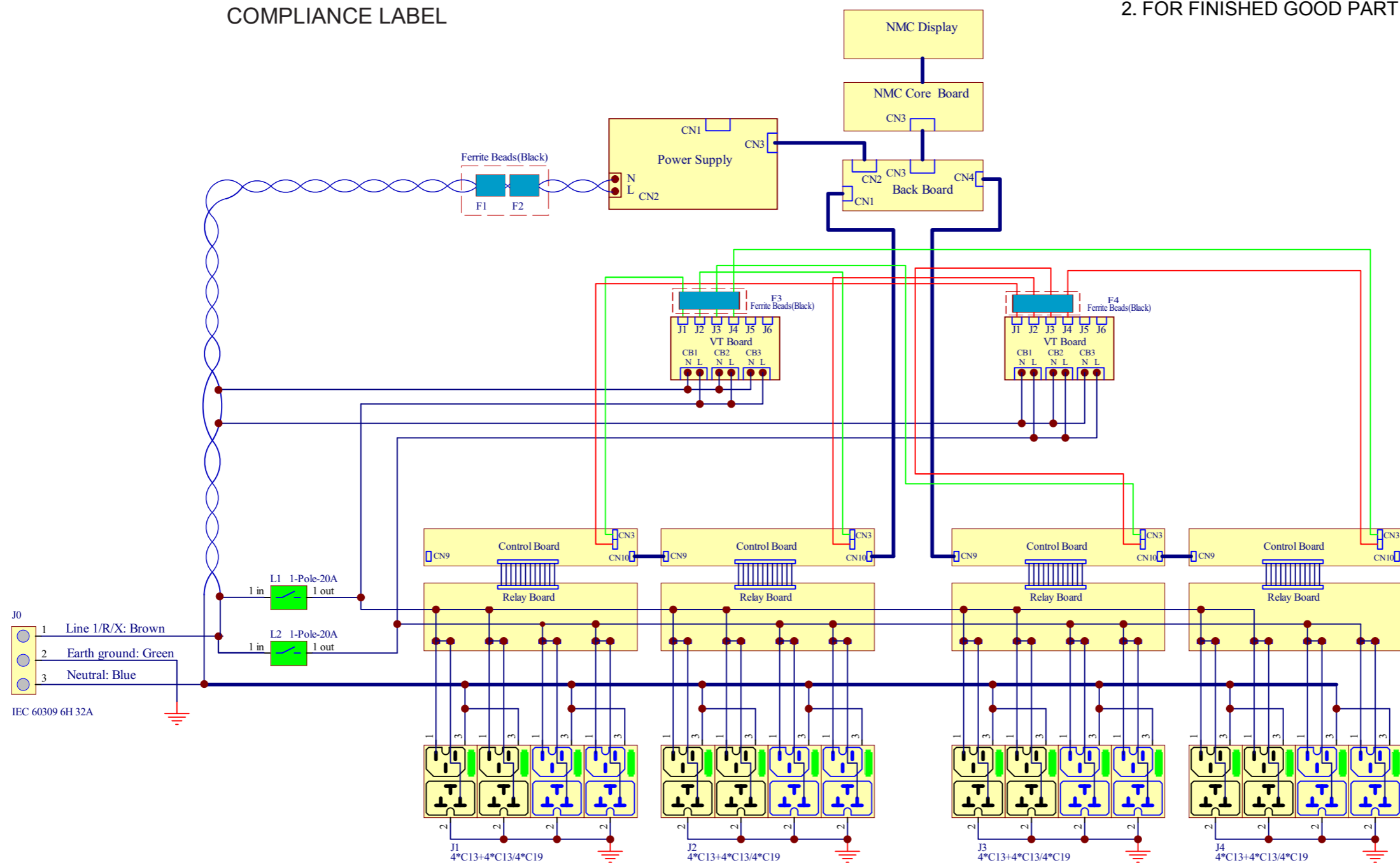
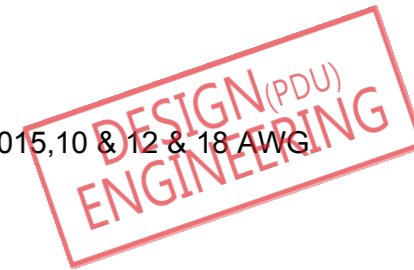
EARTH GROUND COLOR:

GREEN

NEUTRAL COLOR:

BLUE

2. FOR FINISHED GOOD PART NUMBER SEE IDENTIFICATION



INTERNAL WIRING SCHEMATIC DIAGRAM

- NOTES:
1. INSTALLATION SHALL COMPLY WITH ALL APPLICABLE NATIONAL, STATE AND LOCAL CODES.
 2. SEE PRODUCT DOCUMENTATION FOR FURTHER INFORMATION
 3. THIS DRAWING DEPICTS THE POWER SYSTEM CONNECTIONS AND IS NOT REPRESENTATIVE OF THE PHYSICAL LAYOUT. PLEASE REFER TO MECHANICAL DRAWINGS FOR PHYSICAL LAYOUT.

enLOGIC by nvent

THIS DRAWING AND SPECIFICATIONS HEREIN ARE THE PROPERTY OF CIS GLOBAL AND SHALL NOT BE COPIED, REPRODUCED OR USED IN WHOLE OR IN PART, AS THE BASIS FOR THE MANUFACTURE OR SALE OF ITEMS WITHOUT WRITTEN PERMISSION FROM CIS GLOBAL. THIS DRAWING IS BASED UPON LATEST AVAILABLE INFORMATION AND IS SUBJECT TO CHANGE WITHOUT NOTICE

E1	INITIAL DRAFT REVIEW	2022/08/12	LRF
ECN/ECO	REV.	DESCRIPTION	DATE APPROVED
REVISIONS			
TITLE:	UNLESS NOTED, DIMENSIONS ARE IN MILLIMETERS & TOLERANCES ARE:		PART NO:
Advantage Series	X. ±1 MM	X° ±1°	EN6380-WXYZ_DA
Metered & Switched per outlet	X.X ±0.5 MM	X.X° ±0.5°	DRAWN BY: LRF
	X.XX ±0.20 MM		ENGINEER: LJB
	∅X.X ±0.3 MM		APPROVED BY: Hanson
	∅X.XX ±0.10 MM		2022/08/12
PROJECT:	BRACKETED DIMENSIONS ARE IN INCHES FOR REFERENCE ONLY		SCALE: N/A
enLOGIC	⊕ THRID ANGLE PROJECTION		SHEET 3 OF 3
	INTERPRET PER ASME Y14.5M-1994		SIZE: A3